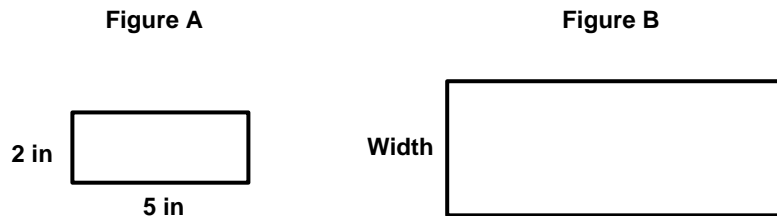


8th Grade Geometry Readiness: Winter Screener

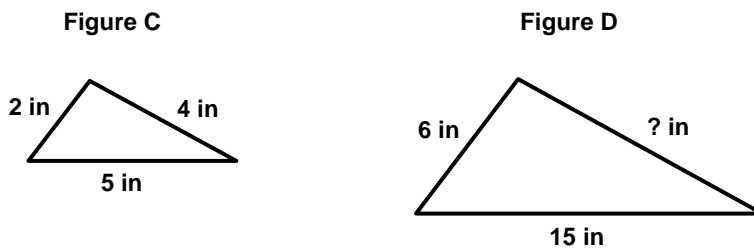
Questions 1-3: Select the correct answer for each question.

1. Figure B is a scaled drawing of figure A with a scale factor of 4. Find the width for figure B.



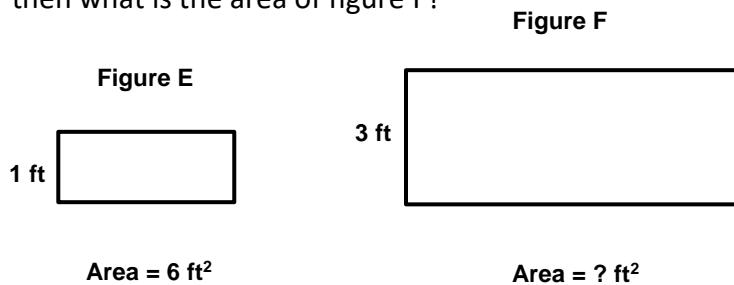
- 10 in
 9 in
 8 in
 20 in

2. Figure D is a scaled drawing of figure C. Find the missing length in figure D.



- 2 in
 4 in
 10 in
 12 in

3. Figure F is a scaled drawing of figure E with a scale factor of 3. If the area of Figure E is 6 ft^2 , then what is the area of figure F?



- 9 ft^2
 54 ft^2
 3 ft^2
 18 ft^2



Please stop, put your pencil down and wait for the next directions.



8th Grade Geometry Readiness: Winter

(continued)

Questions 4-6: Select the correct answer for each question.

4. Which set of dimensions can be 3 sides of a triangle?

- 4 in, 6 in, and 10 in
- 4 in, 6 in, and 9 in
- 4 in, 5 in, and 9 in
- 4 in, 7 in, and 12 in

5. Two dimensions of a triangle are 3 in and 8 in. Select the length that is possible for the third side of the triangle?

- 4 in
- 11 in
- 5 in
- 10 in

6. Two angle measures of a triangle are 45 and 80 degrees. Select the measurement that is possible for the third angle of the triangle?

- 35 degrees
- 45 degrees
- 55 degrees
- 100 degrees

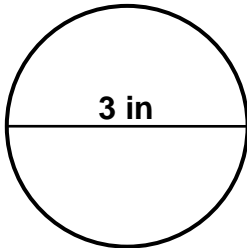


Please stop, put your pencil down and wait for the next directions.

Questions 7-9: Select the correct number and label for each question.

7. Find the circumference of the circle. (Use 3.14 for π .)

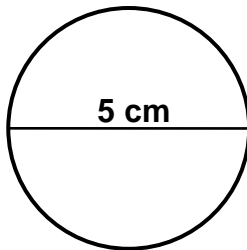
(Note: The figure is not drawn to scale.)



- | | | | |
|----------------------------|---------------------------------------|---------------------------------------|-----------------------------|
| <input type="radio"/> 7.07 | <input type="radio"/> 18.84 | <input type="radio"/> 9.42 | <input type="radio"/> 28.26 |
| <input type="radio"/> in | <input type="radio"/> in ² | <input type="radio"/> in ³ | |

8. Find the area of the circle. (Use 3.14 for π .)

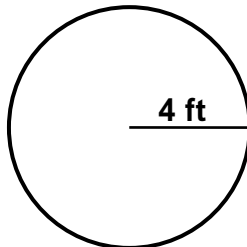
(Note: The figure is not drawn to scale.)



- | | | | |
|---------------------------------------|-----------------------------|---------------------------------------|----------------------------|
| <input type="radio"/> 15.7 | <input type="radio"/> 19.63 | <input type="radio"/> 15.2 | <input type="radio"/> 31.4 |
| <input type="radio"/> cm ² | <input type="radio"/> cm | <input type="radio"/> cm ³ | |

9. Find the area of the circle. (Use 3.14 for π .)

(Note: The figure is not drawn to scale.)



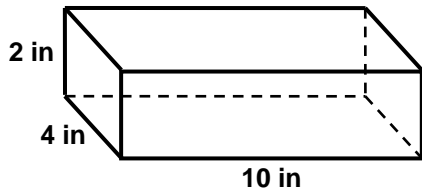
- | | | | |
|---------------------------------------|---------------------------------------|------------------------------|-----------------------------|
| <input type="radio"/> 200.96 | <input type="radio"/> 25.12 | <input type="radio"/> 100.48 | <input type="radio"/> 50.24 |
| <input type="radio"/> ft ³ | <input type="radio"/> ft ² | <input type="radio"/> ft | |



Please stop, put your pencil down and wait for the next directions.

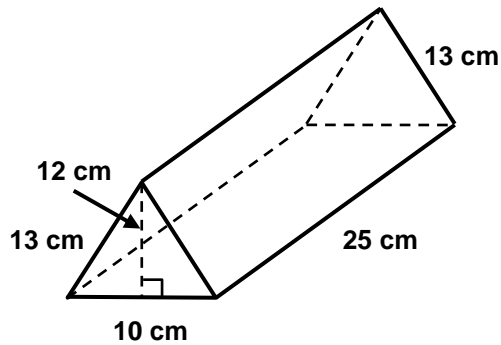
Questions 10-12: Select the correct number and label for each question.

10. Find the surface area of the right prism. *(Note: The figure is not drawn to scale.)*



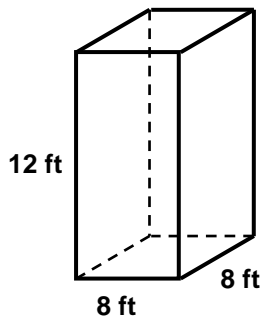
- | | | | |
|---------------------------|---------------------------------------|---------------------------------------|---------------------------|
| <input type="radio"/> 136 | <input type="radio"/> 80 | <input type="radio"/> 128 | <input type="radio"/> 120 |
| <input type="radio"/> in | <input type="radio"/> in ² | <input type="radio"/> in ³ | |

11. Find the surface area of the right prism. *(Note: The figure is not drawn to scale.)*



- | | | | |
|---------------------------------------|---------------------------|---------------------------------------|-----------------------------|
| <input type="radio"/> 900 | <input type="radio"/> 965 | <input type="radio"/> 3,250 | <input type="radio"/> 1,030 |
| <input type="radio"/> cm ² | <input type="radio"/> cm | <input type="radio"/> cm ³ | |

12. Find the surface area of the right prism. *(Note: The figure is not drawn to scale.)*



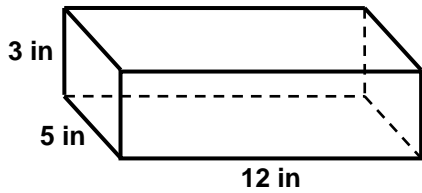
- | | | | |
|---------------------------------------|---------------------------------------|---------------------------|---------------------------|
| <input type="radio"/> 768 | <input type="radio"/> 512 | <input type="radio"/> 448 | <input type="radio"/> 384 |
| <input type="radio"/> ft ³ | <input type="radio"/> ft ² | <input type="radio"/> ft | |



Please stop, put your pencil down and wait for the next directions.

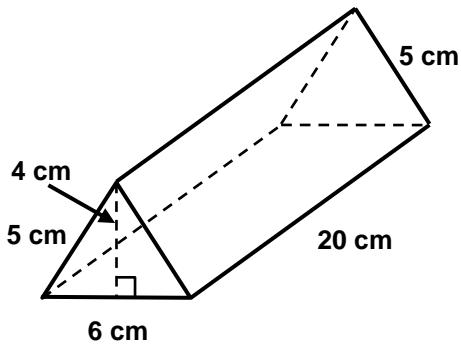
Questions 13-15: Select the correct number and label for each question.

13. Find the volume of the right prism. *(Note: The figure is not drawn to scale.)*



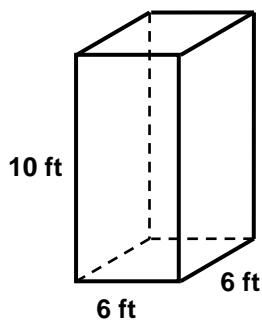
- | | | | |
|---------------------------|---------------------------------------|---------------------------------------|---------------------------|
| <input type="radio"/> 222 | <input type="radio"/> 180 | <input type="radio"/> 207 | <input type="radio"/> 192 |
| <input type="radio"/> in | <input type="radio"/> in ² | <input type="radio"/> in ³ | |

14. Find the volume of the right prism. *(Note: The figure is not drawn to scale.)*



- | | | | |
|---------------------------------------|---------------------------|---------------------------------------|---------------------------|
| <input type="radio"/> 332 | <input type="radio"/> 240 | <input type="radio"/> 320 | <input type="radio"/> 344 |
| <input type="radio"/> cm ² | <input type="radio"/> cm | <input type="radio"/> cm ³ | |

15. Find the volume of the right prism. *(Note: The figure is not drawn to scale.)*



- | | | | |
|---------------------------------------|---------------------------------------|---------------------------|---------------------------|
| <input type="radio"/> 240 | <input type="radio"/> 312 | <input type="radio"/> 276 | <input type="radio"/> 360 |
| <input type="radio"/> ft ³ | <input type="radio"/> ft ² | <input type="radio"/> ft | |



Please stop, put your pencil down and wait for the next directions.