

8th Grade Geometry Readiness: Winter Screener

Questions 1-3: Select the correct answer for each question.

1. Figure B is a scaled drawing of figure A with a scale factor of 4. Find the width for figure B.

Figure A

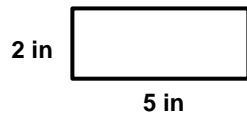


Figure B



- 10 in
 9 in
 8 in
 20 in

2. Figure D is a scaled drawing of figure C. Find the missing length in figure D.

Figure C

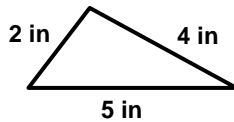
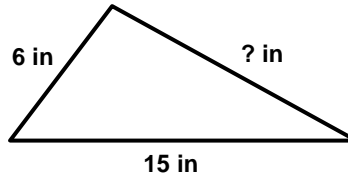


Figure D



- 2 in
 4 in
 10 in
 12 in

3. Figure F is a scaled drawing of figure E with a scale factor of 3. If the area of Figure E is 6 ft^2 , then what is the area of figure F?

Figure E



Area = 6 ft^2

Figure F



Area = $? \text{ ft}^2$

- 9 ft^2
 54 ft^2
 3 ft^2
 18 ft^2



Please stop, put your pencil down and wait for the next directions.



8th Grade Geometry Readiness: Winter

(continued)

Questions 4-6: Select the correct answer for each question.

4. Which set of dimensions can be 3 sides of a triangle?

4 in, 6 in, and 10 in

4 in, 6 in, and 9 in

4 in, 5 in, and 9 in

4 in, 7 in, and 12 in

5. Two dimensions of a triangle are 3 in and 8 in. Select the length that is possible for the third side of the triangle?

4 in

11 in

5 in

10 in

6. Two angle measures of a triangle are 45 and 80 degrees. Select the measurement that is possible for the third angle of the triangle?

35 degrees

45 degrees

55 degrees

100 degrees

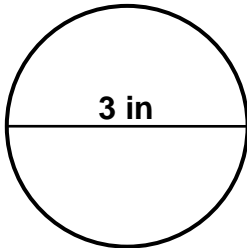


Please stop, put your pencil down and wait for the next directions.

Questions 7-9: Select the correct number and label for each question.

7. Find the circumference of the circle. (Use 3.14 for π .)

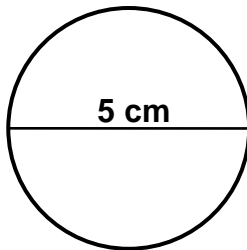
(Note: The figure is not drawn to scale.)



- 7.07 18.84 9.42 28.26
 in in² in³

8. Find the area of the circle. (Use 3.14 for π .)

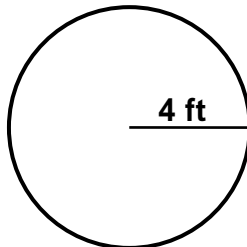
(Note: The figure is not drawn to scale.)



- 15.7 19.63 15.2 31.4
 cm² cm cm³

9. Find the area of the circle. (Use 3.14 for π .)

(Note: The figure is not drawn to scale.)



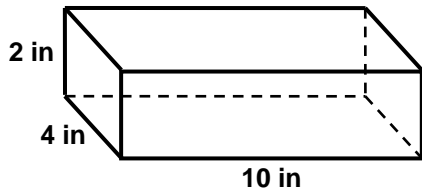
- 200.96 25.12 100.48 50.24
 ft³ ft² ft



Please stop, put your pencil down and wait for the next directions.

Questions 10-12: Select the correct number and label for each question.

10. Find the surface area of the right prism. (Note: The figure is not drawn to scale.)


 136

 80

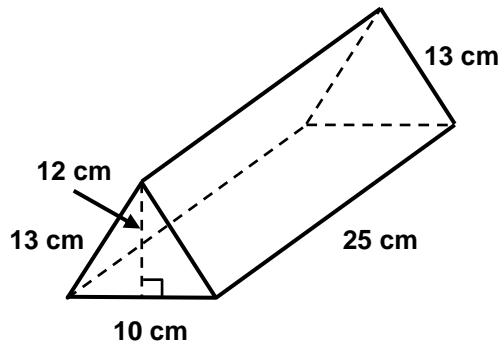
 128

 120

 in

 in²
 in³

11. Find the surface area of the right prism. (Note: The figure is not drawn to scale.)


 900

 965

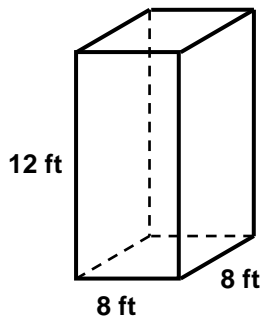
 3,250

 1,030

 cm²
 cm

 cm³

12. Find the surface area of the right prism. (Note: The figure is not drawn to scale.)


 768

 512

 448

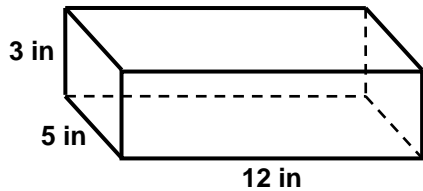
 384

 ft³
 ft²
 ft


Please stop, put your pencil down and wait for the next directions.

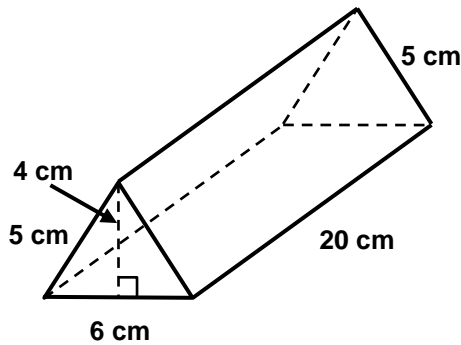
Questions 13-15: Select the correct number and label for each question.

13. Find the volume of the right prism. (Note: The figure is not drawn to scale.)



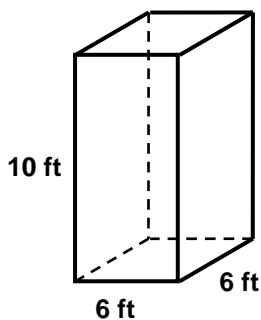
- 222 180 207 192
 in in² in³

14. Find the volume of the right prism. (Note: The figure is not drawn to scale.)



- 332 240 320 344
 cm² cm cm³

15. Find the volume of the right prism. (Note: The figure is not drawn to scale.)



- 240 312 276 360
 ft³ ft² ft



Please stop, put your pencil down and wait for the next directions.