

8th Grade Geometry Readiness: Fall Screener

Questions 1-3: Select the correct answer for each question.

1. Figure B is a scaled drawing of figure A with a scale factor of 4. Find the length for figure B.

Figure A

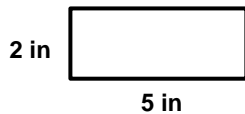
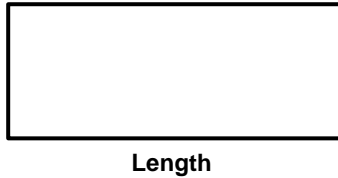


Figure B



- 8 in
 9 in
 10 in
 20 in

2. Figure D is a scaled drawing of figure C. Find the missing length in figure D.

Figure C

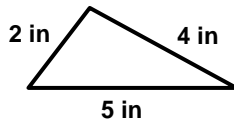
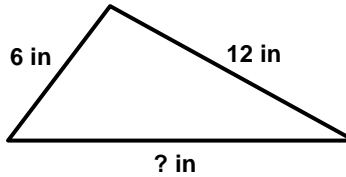


Figure D



- 5 in
 10 in
 15 in
 2.5 in

3. Figure F is a scaled drawing of figure E with a scale factor of 3. If the area of Figure E is 4 ft^2 , then what is the area of figure F?

Figure E



Area = 4 ft^2

Figure F



Area = $? \text{ ft}^2$

- 9 ft^2
 36 ft^2
 3 ft^2
 12 ft^2



Please stop, put your pencil down and wait for the next directions.



8th Grade Geometry Readiness: Fall

(continued)

Questions 4-6: Select the correct answer for each question.

4. Which set of dimensions can be 3 sides of a triangle?

- 3 in, 6 in, and 10 in
- 3 in, 6 in, and 9 in
- 3 in, 7 in, and 9 in
- 3 in, 7 in, and 10 in

5. Two dimensions of a triangle are 4 in and 10 in. Select the length that is possible for the third side of the triangle?

- 5 in
- 14 in
- 6 in
- 12 in

6. Two angle measures of a triangle are 25 and 50 degrees. Select the measurement that is possible for the third angle of the triangle?

- 15 degrees
- 75 degrees
- 95 degrees
- 105 degrees

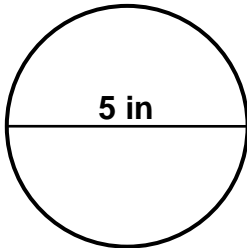


Please stop, put your pencil down and wait for the next directions.

Questions 7-9: Select the correct number and label for each question.

7. Find the circumference of the circle. (Use 3.14 for π .)

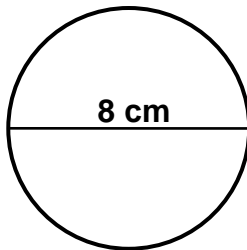
(Note: The figure is not drawn to scale.)



- 78.5 19.625 15.7 31.4
 in in² in³

8. Find the area of the circle. (Use 3.14 for π .)

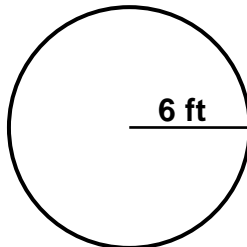
(Note: The figure is not drawn to scale.)



- 50.24 200.96 25.12 100.48
 cm² cm cm³

9. Find the area of the circle. (Use 3.14 for π .)

(Note: The figure is not drawn to scale.)



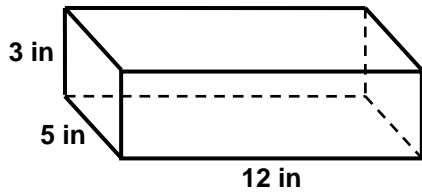
- 28.26 452.16 37.68 113.04
 ft³ ft² ft



Please stop, put your pencil down and wait for the next directions.

Questions 10-12: Select the correct number and label for each question.

10. Find the surface area of the right prism. (Note: The figure is not drawn to scale.)


 222

 180

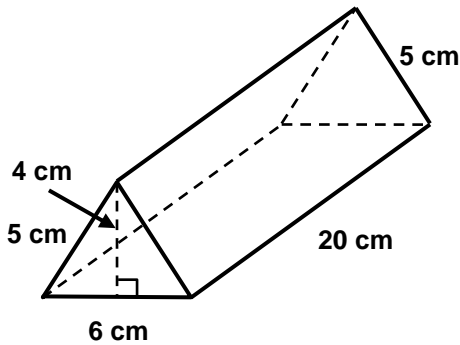
 207

 192

 in

 in²
 in³

11. Find the surface area of the right prism. (Note: The figure is not drawn to scale.)


 332

 240

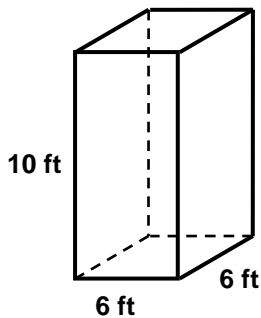
 320

 344

 cm²
 cm

 cm³

12. Find the surface area of the right prism. (Note: The figure is not drawn to scale.)


 240

 312

 276

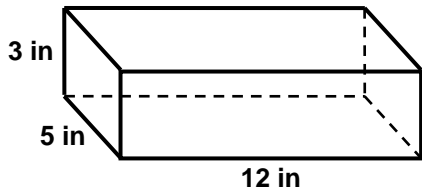
 360

 ft³
 ft²
 ft


Please stop, put your pencil down and wait for the next directions.

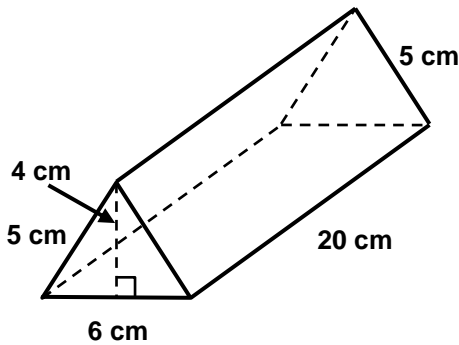
Questions 13-15: Select the correct number and label for each question.

13. Find the volume of the right prism. *(Note: The figure is not drawn to scale.)*



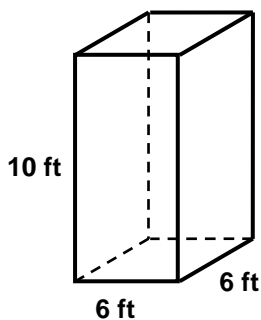
- 222 180 207 192
 in in² in³

14. Find the volume of the right prism. *(Note: The figure is not drawn to scale.)*



- 332 240 320 344
 cm² cm cm³

15. Find the volume of the right prism. *(Note: The figure is not drawn to scale.)*



- 240 312 276 360
 ft³ ft² ft



Please stop, put your pencil down and wait for the next directions.